



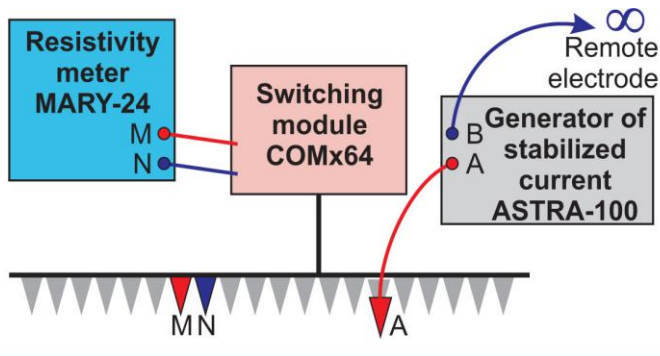
COMx64

SWITCHING MODULE FOR SHALLOW DEPTH 2D RESISTIVITY AND INDUCED POLARIZATION IMAGING

GENERAL DESCRIPTION

Switching module COMx64 is specially designed to be used with compact resistivity meter MARY-24 for shallow resistivity imaging. This module features an internal switching board for 64 potential electrodes. Four strings of cable with 16 electrode take-out each are connected to the switching module. The system is designed for surveys with Pole-Dipole Array. One current electrode is moved manually.

Lightweight, rugged, high-accuracy resistivity meter MARY-24 with switching module COMx64 is ideal affordable instrument for archaeological, geological mapping and civil engineering applications. The surveys can be performed very efficiently with only two (2) field operators.



SEMIAUTOMATIC RESISTIVITY IMAGING FIELD SETUP

COMx64 module switches only potential electrodes using the sequence in the internal memory. Current electrode position is indicated on the receiver screen. Application of Pole-Dipole array is optimal for semiautomatic resistivity imaging.

ADVANTAGES:

- Low cost of switching module and strings
- Survey with steel or non-polarizing electrode for precise IP measurements
- Set of grounded current electrodes could be used to improve grounded resistance in difficult terrain conditions
- Offset current electrodes allow to roll along array without overlapping

SPECIFICATION:

- Number of potential electrodes: 64
- Array: Pole-Dipole (forward + reverse)
- Setup Length: 189m+offset electrodes
- Depth of investigation: up to 50m
- Number of readings: 500-1000
- Measurement Time: ~1-2hour

COMx64 FIELD EXAMPLES:



MARY-24 +COMx64 Module

WINTER SURVEY

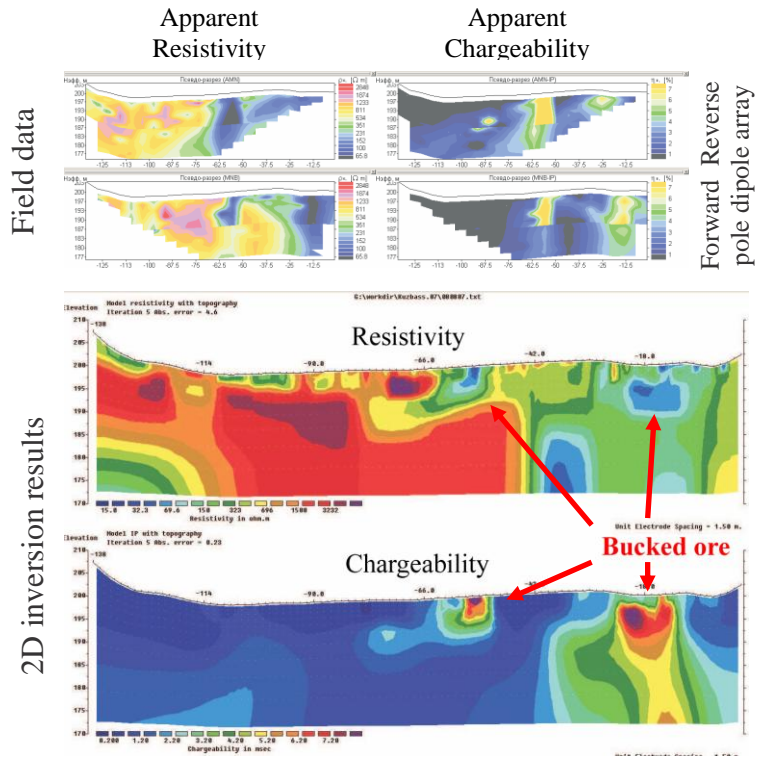


ASTRA-100, remote electrode cables, strings with potential electrode, doubled current electrodes



Open Pit

MANGANESE OPEN PIT



ADVANCED GEOPHYSICAL OPERATIONS AND SERVICES INC.

162 Oakdale Rd., North York, Ontario, M3N 2S5, Canada

Tel: 1(416)747-8800 Fax: 1(416)747-5761 info@agcos.ca www.agcos.ca